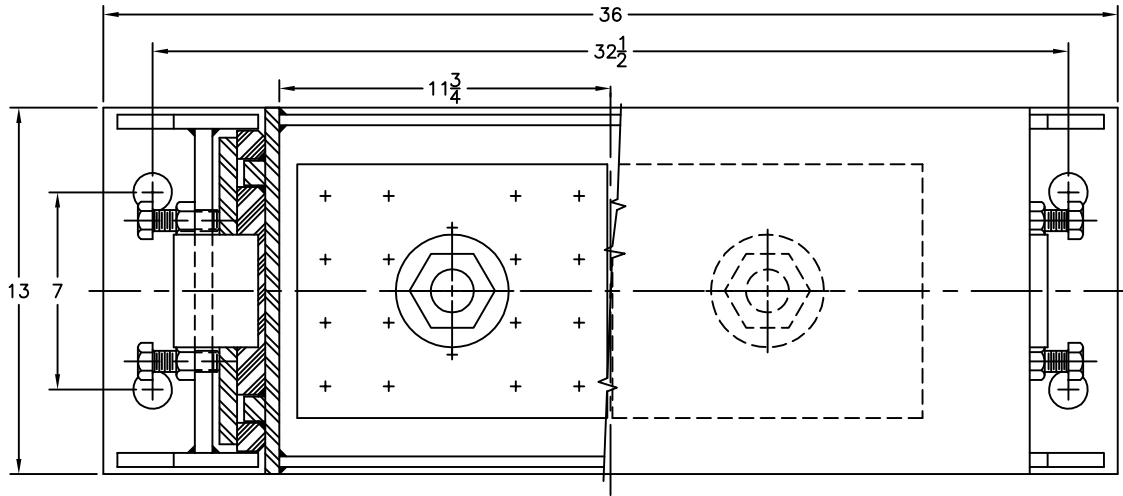


123R-103937 REV: 1

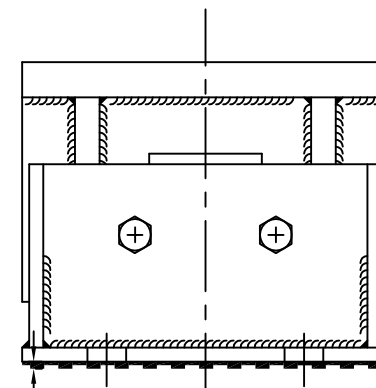
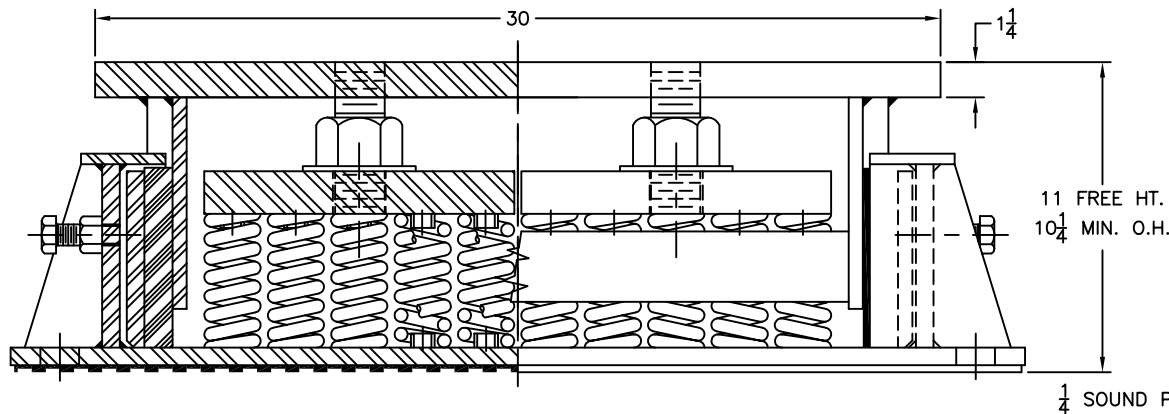
REV.	DESCRIPTION	DATE	BY



PART NUMBER	ISOLATOR MODEL	MAX. STEADY (LBS)	MAX. IMPACT (LBS)	ISOLATOR CONSTANT (LBS)	COLOR CODE
607363	SIS-7536	68000	51000	104000	PINK

NOTES:

- ALL DIMENSIONS ARE IN INCHES, INTERPRET PER ANSI Y14
- MINIMUM OPERATING HEIGHT: 10 1/4'
- STANDARD FINISH: CONTACT VMC FOR ADDITIONAL AVAILABILITY
 - STEEL WELDMENTS: STANDARD VMC COLOR
 - SPRING: POWDER COATED
 - HARDWARE: ELECTRO-ZINC PLATED
- TAPPED HOLES IN ISOLATOR TOP PLATE CAN BE PROVIDED TO SUIT CONDITIONS.
- ESTIMATED NET WEIGHT: 500 LBS



OTHER MATERIALS, COMPOUNDS, OR FINISHES WITH EQUAL OR SUPERIOR PROPERTIES MAY BE SUBSTITUTED AS THEY BECOME AVAILABLE.

CERTIFIED FOR:

JOB NAME: _____
 CUSTOMER : _____
 CUSTOMER P.O.: _____
 SALES ORDER: _____

**MODEL SIS-7536 68,000 LBS.
 SPRING ISOLATOR WITH
 ADJUSTABLE SNUBBER**



THE VMC GROUP
The Power of Together
 Bloomingdale, NJ 07403
 Houston, TX 77041

SCALE :

NONE

SHEET:



DRAWING NO.:

REVISION